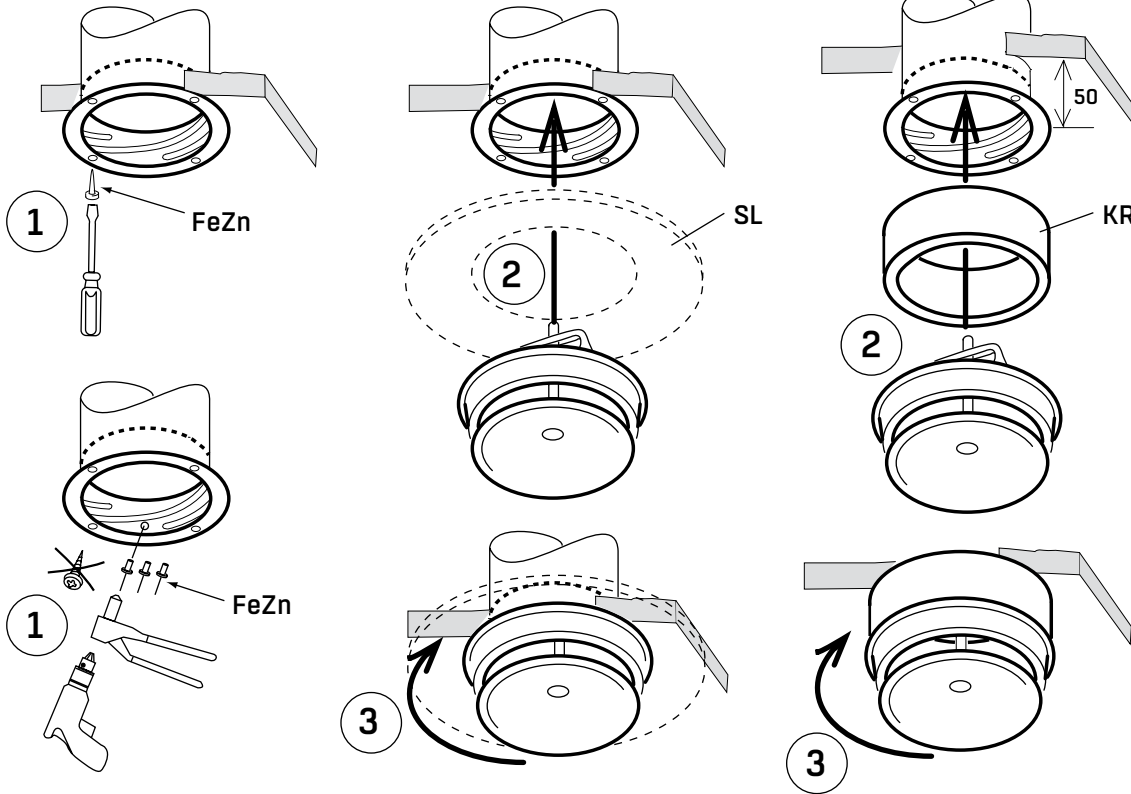
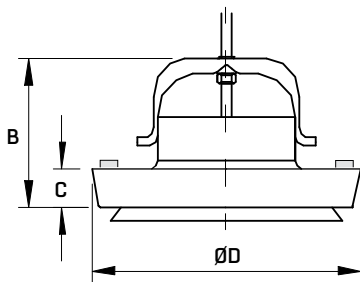


KTS

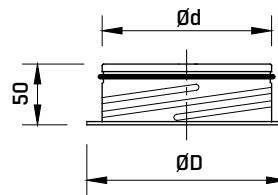


KTS



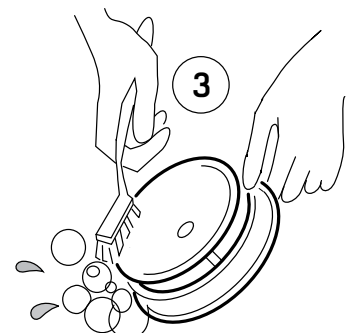
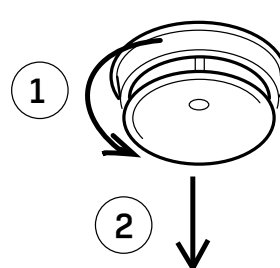
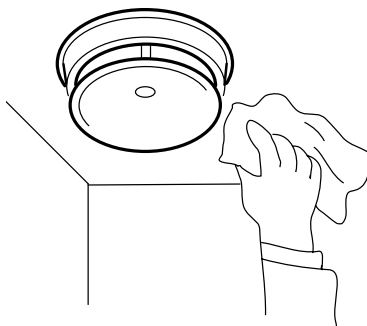
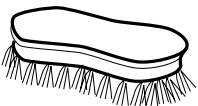
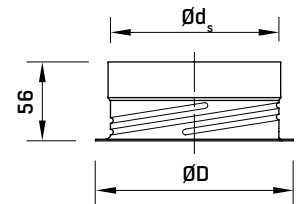
KTS	ØD	B	C
100	143	67	17
125	173	76	18
160	216	80	19

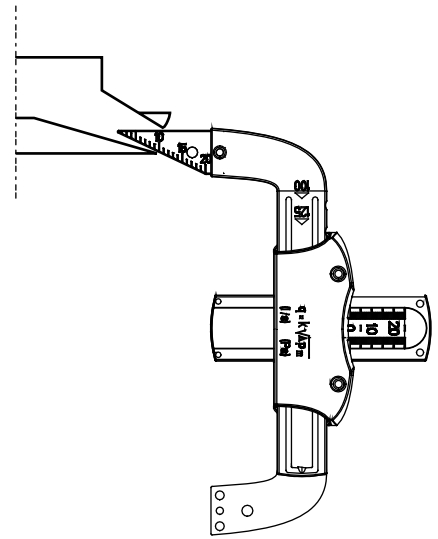
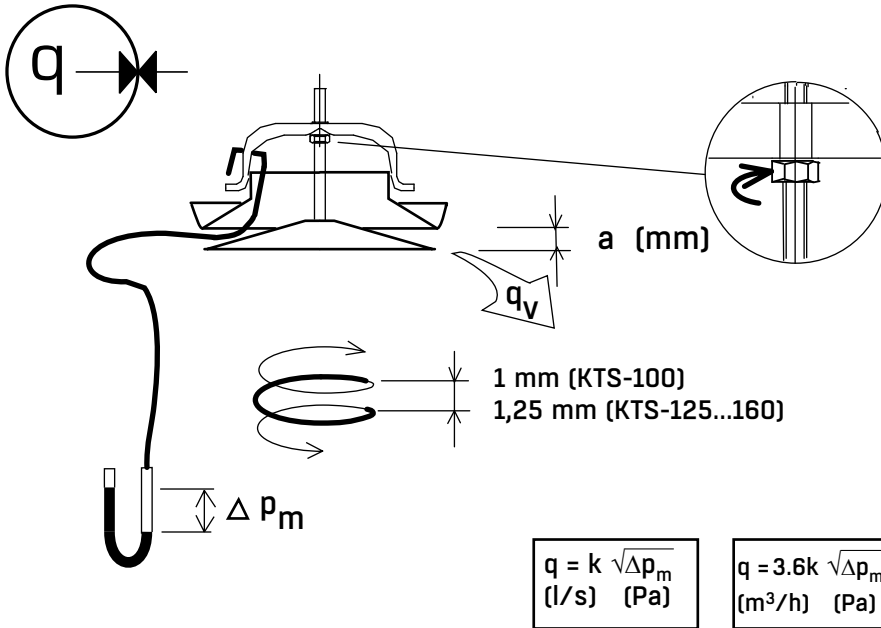
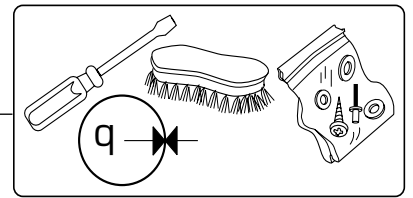
KKT, KKL



KKT/KKL/KKU	Ød	ØD	Ød <sub>s</sub>
100	99	122	100
125	124	148	125
160	159	184	160

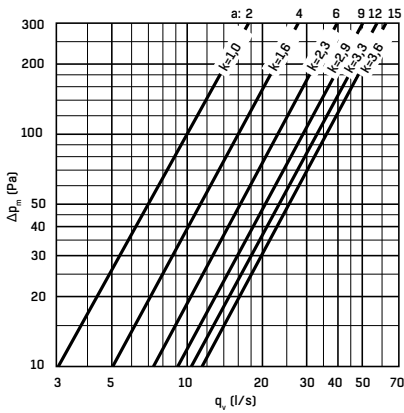
KKU





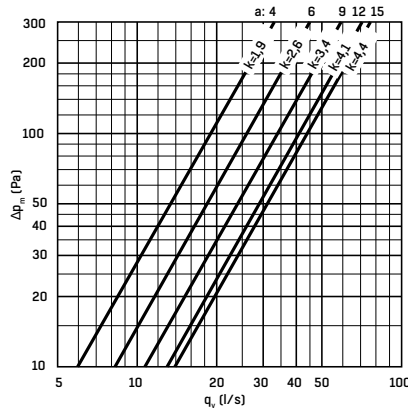
KTS-100

RakMK E7: 6.1  
max s = 12 mm

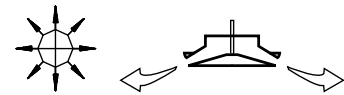
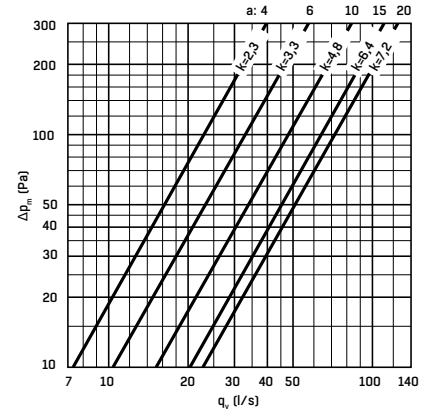


KTS-125

RakMK E7: 6.1  
max s = 8 mm

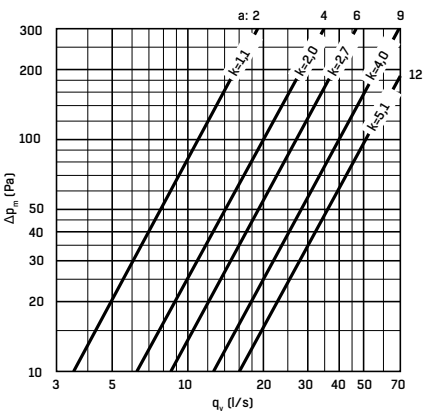


KTS-160



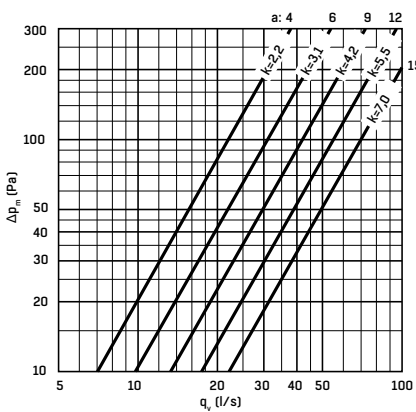
KTS-100

RakMK E7: 6.1  
max s = 12 mm



KTS-125

RakMK E7: 6.1  
max s = 8 mm



KTS-160

